


W3.8 ROPE

MULTI-USE WIDE ROPE

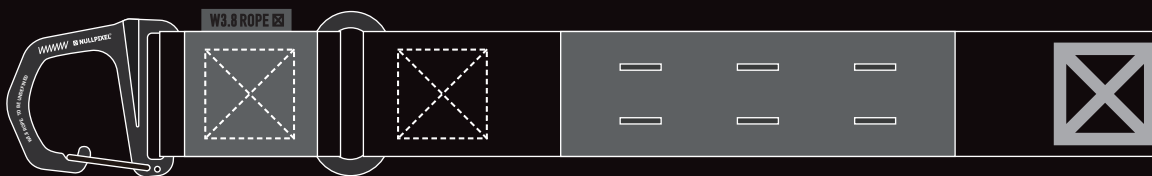
 Due to load safety concerns, please read the instruction manual carefully.

W3.8 ROPE product has been tested by the international inspection agency SGS.

報告編號為HL10266A/2024·HL10266B/2024·HL10267A/2024·HL10267B/2024v v

@_nullpixel_

3 WAYS TO TRANSFORM



**NULLPIXEL**[®]

Product specifications

Material	Polyester fiber, aluminum alloy, stainless steel
Dimensions	Width 3.8cm, Length adjustable approximately 150cm-505cm.
Usage	Ropes for tents and canopies, as well as auxiliary tying ropes.

Made in Taiwan.

Disclaimer

This product is primarily designed for use as a camping rope. If intended for use as a supplementary tying aid, please observe the weight restrictions for each application. Users should ensure compliance with the instructions provided and assume all related risks. The company accepts no responsibility for damages resulting from unauthorized use. Fraying or pilling may occur due to external friction after using woven products, which is considered normal wear and tear.

Precautions



Keep away from fire



Do not use overweight



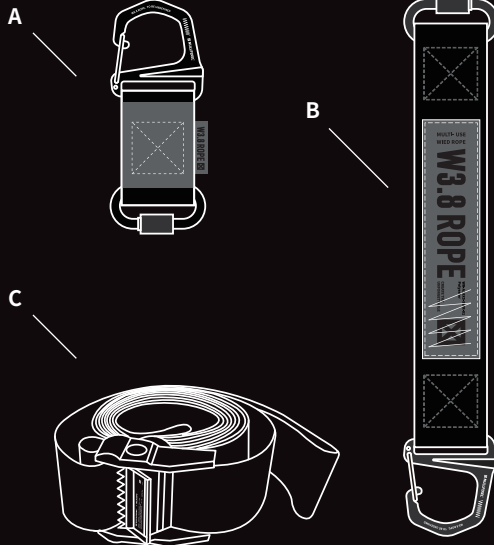
Do not cut the ribbon



Do not use on live organisms



Keep out of reach of children



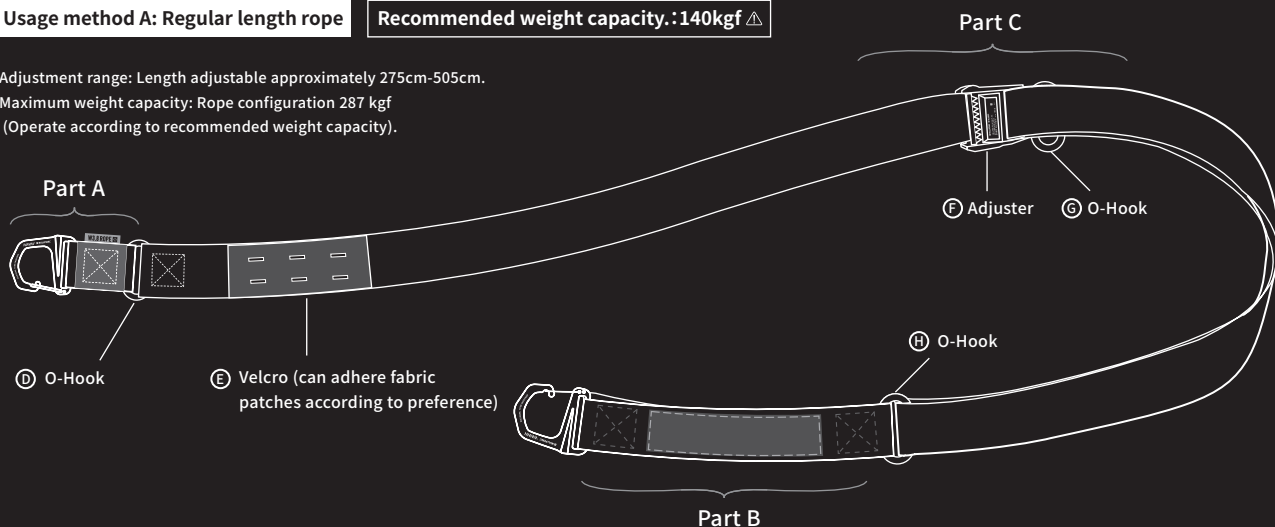
Usage method A: Regular length rope

Recommended weight capacity: :140kgf ▲

Adjustment range: Length adjustable approximately 275cm-505cm.

Maximum weight capacity: Rope configuration 287 kgf

(Operate according to recommended weight capacity).



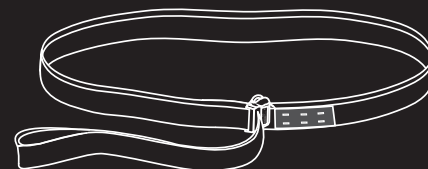
Usage method B: Rope tying

Recommended weight capacity: :600kgf ▲

Binding range: Maximum width within the loop 110cm / Maximum circular diameter approximately 75cm.

Maximum weight capacity: Binding configuration 1200 kgf (Operate according to recommended weight capacity).

Recommended for use as a supplementary rope tying tool, not suitable as the primary weight-bearing tool.

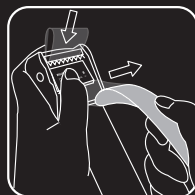


STEP 1



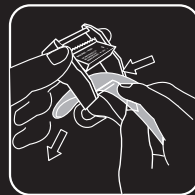
Loosen the D and H oval buckles, then remove segments A and B.

STEP 2



Press the F adjuster to release and slowly pull out the webbing. Please be careful to avoid snagging the fabric surface.

STEP 3



Thread the webbing through the opening at the bottom of the F adjuster shown in the diagram.

STEP 4



Flip to the backside and insert the webbing through the rear G oval buckle, then lock it.

STEP 5



Thread the end of the webbing through the F adjuster from bottom to top to transform it into a binding strap for securing items. ▲ Please make sure to thread it in the correct direction.

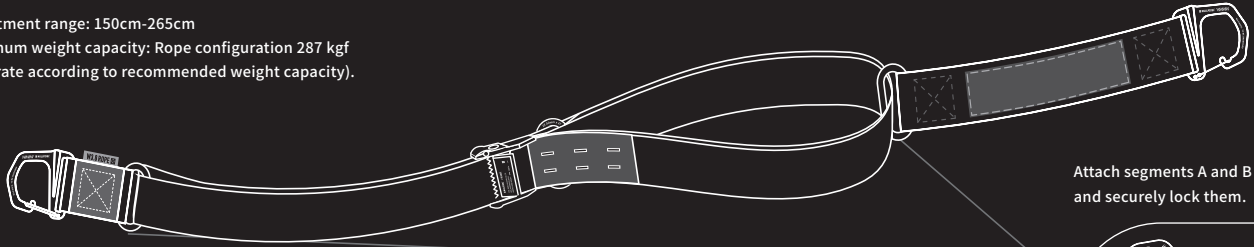
Usage method C: Shortened length rope

Recommended weight capacity: 140kgf ⚠

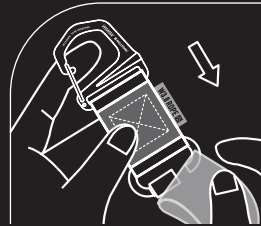
First complete Usage method B, then attach segments A and B to the ends, thus completing the shortened version of the rope.

Adjustment range: 150cm-265cm

Maximum weight capacity: Rope configuration 287 kgf
(Operate according to recommended weight capacity).



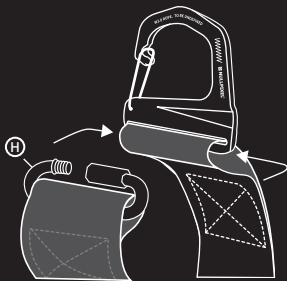
Attach segments A and B and securely lock them.



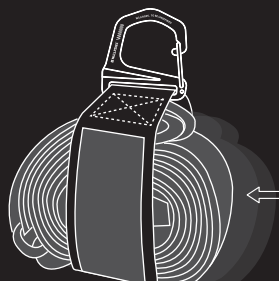
Storage method

*When storing, please ensure the rope remains dry.

STEP 1



STEP 2



After separating segment B, simply thread the **H** oval buckle directly into the hook. Leave some space in the webbing, and you'll have formed a loop.

Insert the neatly rolled webbing into the loop, and your storage is complete.



You can scan the QR code to watch the instructional video.